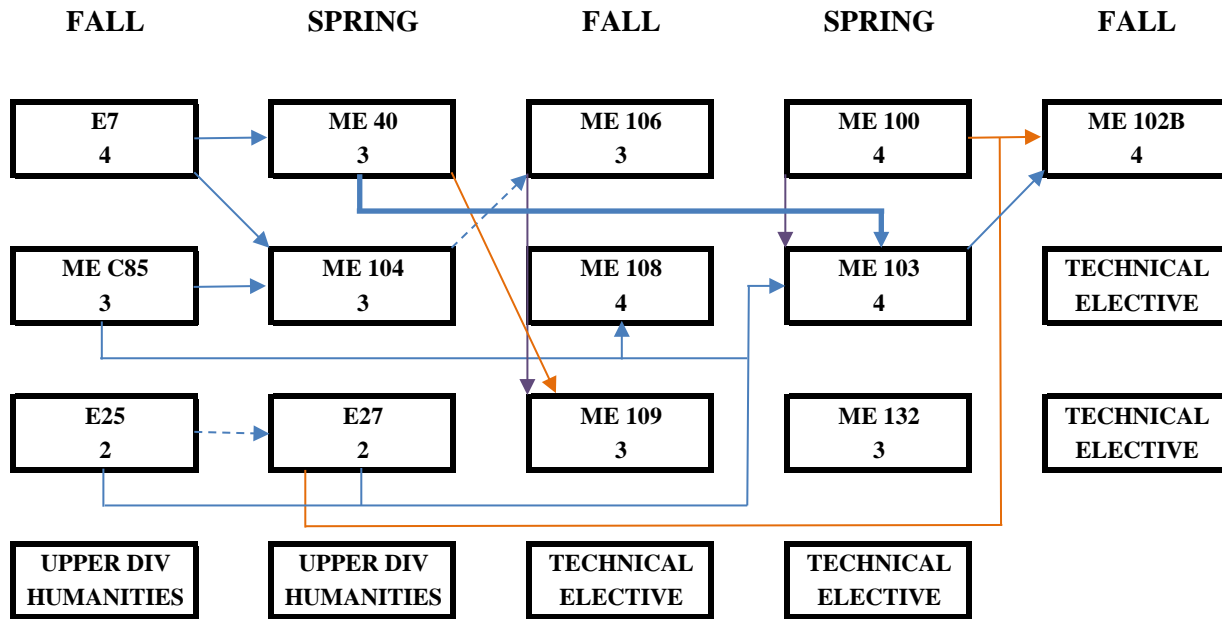
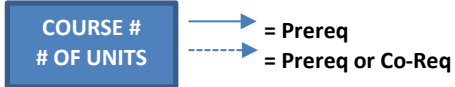


# Mechanical Engineering Transfer Course Plan



## GENERAL NOTES

- Please be aware that though courses may not be listed as official prereqs, upper div courses are taught with the expectation that you have taken lower div courses.



## GENERAL TECHNICAL ELECTIVE NOTES

- 15 Units of tech elective are required. As a JT you have already taken 3.
- 1 Course must be from the Design List.
- 1 Course must be from the QS list.
- 9 of the 15 units must be ME-sponsored, upper division courses (ex. ME XXX).
- ME 191K is not a technical course; it is an H/SS.

For a list of possible courses, please see <http://www.me.berkeley.edu/undergraduate/course-information/undergraduate-technical-electives>

## DESIGN COURSES

All of the courses below are considered ME-Sponsored.

ENG 128  
ME 101  
ME 110  
ME C117  
ME 119  
ME 130  
ME 135  
ME 146  
ME 165  
ME C176  
ME 178  
ME 179

## QUANTITATIVE SCIENCE (QS)

This requirement seeks to endow students with QS skills to complement the intensive hands-on courses required in the upper division. All of the courses below are considered ME-Sponsored. The rest are considered "outside."

ENG 117  
ENG 150  
ENG 177  
ME 120  
ME 136  
ME C180

Additional courses can be found at [http://www.me.berkeley.edu/undergraduate-](http://www.me.berkeley.edu/undergraduate/course-information/undergraduate-)